

一、前言

感谢您购买此产品

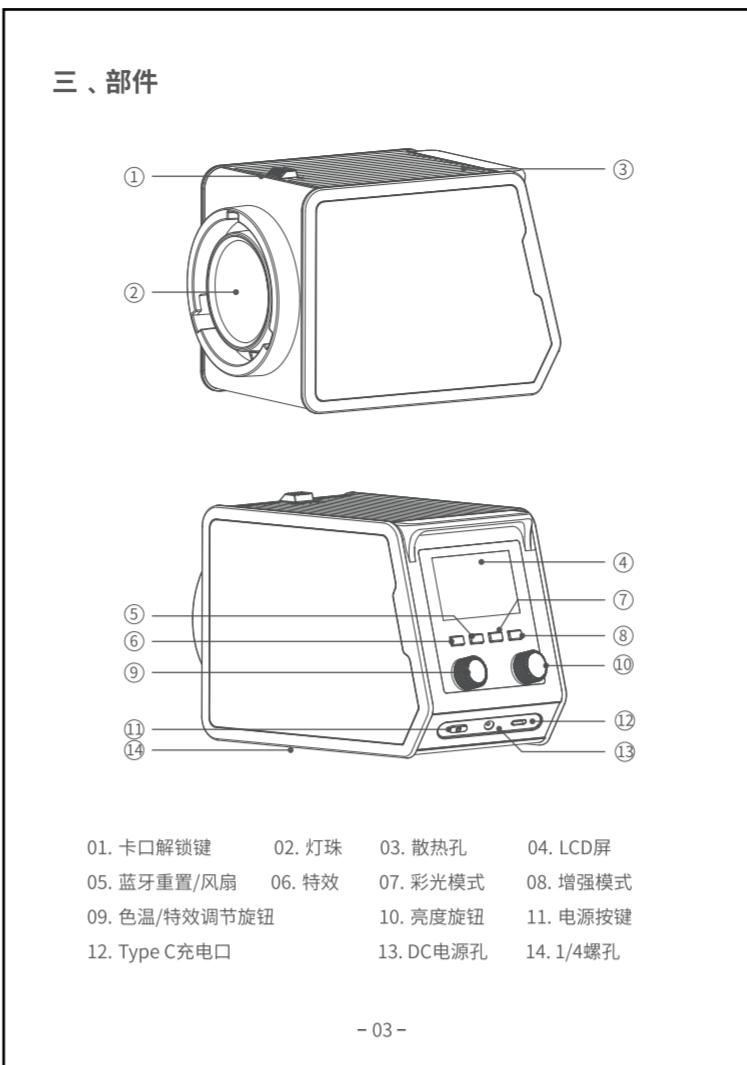
PALM LED是一款迷你高亮度的长亮灯,可自由切换多种模式,适合于任何场景:直播、野外露营、自拍、景物拍摄、化妆照明、视频拍摄、婚纱摄影、儿童拍摄及有限空间补光,轻松动感补光等,可APP控制调光,操作简单,轻巧便捷。

主要特点:

- 灯多用,随心切换双色温,彩光模式和20种情景特效模式
- 自由调节色温、亮度
- 小巧显示屏,精确显示参数
- 内置锂电池
- 操作简单,适用范围广泛
- 迷你设计,方便携带

二、保养及注意事项

1. 请保持干燥:请勿用湿手接触产品,亦不可以将产品浸入水中或暴露于雨中。
2. 请勿私自拆卸产品,如产品出现故障由本公司或授权的维修人员进行检查维修。
3. 请勿让儿童接触本产品。
4. 本产品不防水,在雨天及潮湿环境下请注意防水。
5. 请勿在化学品、可燃性气体或其他特殊物质附近使用摄影灯,在这些场合下,请注意相关警告标识。
6. 请用干软布来清洁摄影灯,您可以先用棉布沾上一些中性的清洁剂来擦去较难去除的污垢,然后用软布将其擦干。
7. 内置锂电,禁止拆卸、撞击、挤压或投入火中,若出现严重膨胀,请勿继续使用,请勿放置在超过40°C的高温环境中,使用专用的充电器进行充电,并且正确的按照操作说明,在规定的电压、温度范围内使用。
8. 摄像灯长时间不用时请切断电源。
9. 长时间不用时,请充满电存放,每3个月充一次电,长期亏电存放,可能导致内部电池损坏。
10. 请遵守此注意事项,否则将可能导致受伤。



四、使用说明

1. 首次使用,建议先充电

1.1 开关: 电源按键1秒后,显示屏点亮,顺时针旋转任意旋钮到开机。

1.2 静音风扇: 当灯具点亮后,静音风扇会启动一小会儿后停止工作以确保静音工作。一旦散热器工作温度达到120°F (50°C),静音风扇开始工作。

2. 色温模式

2.1. 在色温模式下,旋转色温旋钮可以调节2700-6500K。
2.2. 短按色温旋钮,可快速切换,2700K/3200K/4500K/5000K/5600K/6500K。

3. 彩光模式

3.1. 按(HSI)按键进入彩光模式。
3.2. 旋转(DIMMER)亮度旋钮,可调整亮度0-100%,短按可快速切换,25%、50%、75%、100%。旋转(COLOR / FX)旋钮,调整0-360°,再次短按(COLOR / FX)可调整亮度0%-100%。

4. 亮度调节

4.1. 在亮度模式下,旋转亮度旋钮可以调节0-100%。
4.2. 短按亮度旋钮,可快速切换,0%/25%/50%/75%/100%。

5. 特效模式

5.1. 在色温/彩光模式控制状态下,按(FX)键进入特效。
5.2. 旋转(COLOR/FX)键可选择20种不同特效,短按(COLOR/FX)可调整频率1-9,旋转(DIMMER)键调整亮度0-100%。

F1 脉冲	F2 闪电
F3 烟花	F4 故障灯
F5 彩虹	F6 紧急呼吸
F7 海浪	F8 雨滴
F9 篝火	F10 爆炸
F11 烛光	F12 呼吸灯
F13 警车	F14 派对
F15 烟花	F16 迪斯科
F17 救护车	F18 消防车
F19 RGB循环	F20 呼吸

6. 蓝牙重置/静音模式

6.1. 短按(4/10)键可关闭风扇,再次短按可打开风扇。

温馨提示:
如果静音风扇关闭,亮度允许调节范围为0-15%。
如果灯具内部温度达到50°C,会自动启动散热风扇。

6.2. 长按(4/10)键,显示屏闪烁时,可进行蓝牙重置。(详见蓝牙操作说明)

7. 增强模式

7.1. 开机后,短按增强模式(MAX),亮度百分比闪烁,HSI模式下无效,此时灯具增强模式开启。此时灯具的100%亮度,2700K-6500K范围内,功率为约100W;再次短按增强模式,灯具转为普通功率模式,此时灯具的100%亮度,2700K-6500K范围内,功率为约60W。

五、产品参数

型号	PL-100RGB
整机功率	100W(带适配器)
色温调节	2700K-6500K ±200K
CRI	>=97
色租	0-360°
调光范围	0%-100%
饱和度	0%-100%
光源	5色COB灯珠
特效	20
特效速度	1-9
APP控制	LinkLite(基于蓝牙)
蓝牙控制距离	<60M
电池	14.8V == 4500mAh 66.6Wh (相当于3.7V == 18000mAh)
电池续航时间	普通模式:约66分钟 / 增强模式:约45分钟
Type C充电	支持PD3.0协议 9V/12V/15V/20V 充电功率30
过热保护	灯头温度达到90°C时,将断开输出,显示代码E1
工作电压	DC19V
适配器(选配)	DC19V == 4.7A
尺寸	145*86*100mm

MAX模式裸灯照度

2700K	1M,3300Lx; 2M,960Lx; 3M,485Lx
3200K	1M,3520Lx; 2M,1020Lx; 3M,514Lx
5600K	1M,4050Lx; 2M,1170Lx; 3M,585Lx
6500K	1M,4130Lx; 2M,1210Lx; 3M,600Lx

MAX模式配D180鱼眼灯罩照度

2700K	1M,13000Lx; 2M,3200Lx; 3M,1450Lx
3200K	1M,12500Lx; 2M,3160Lx; 3M,1430Lx
5600K	1M,10800Lx; 2M,2870Lx; 3M,1340Lx
6500K	1M,10200Lx; 2M,2780Lx; 3M,1320Lx

R 红光照度 0	1M 486Lx
G 绿光照度 12	1M 932Lx
B 蓝光照度 240	1M 253Lx

*设计和规格如有变更,恕不另行通知。

六、电池充电

1. 低电量

1.1. 如果电池电量过低,屏幕显示LO并自动关机。

2. 为电池充电

2.1. TYPE C充电电压5-20V,最大充电功率30W,大约需要充电2.5小时。
2.2. 电池状态指示

3. TYPE C 和适配器(选配)充电

3.1. TYPE C供电:支持PD3.0协议 9V/12V/15V/20V 充电功率30W。
3.2. 适配器(选配):19V == 4.7A 100W。

温馨提示:请在普通模式下为电池充电。如果启用MAX增强模式,请确保亮度小于60%。若在增强模式下大于60%亮度,电池将自动关闭充电。

七、标配物品

1. 主机 *1 2. 灯罩 *1 3. 柔光帽 *1 4. 手柄 *1 5. Type C线 *1

选配配件另行购买

6. 适配器(选配) *1 7. 电源线(选配) *1 8. PD诱骗线(选配) *1
9. 快充头(选配) *1 10. 布袋(选配) *1

I. Product Description

I Thank you for purchasing PALM LED.

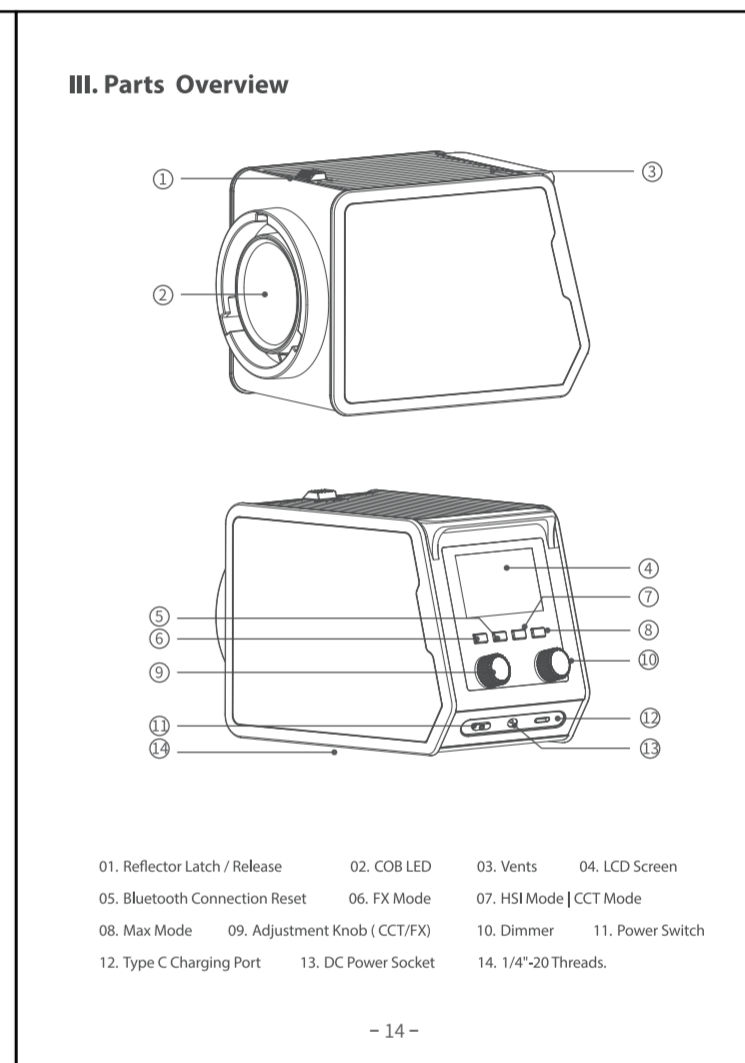
Portable, with an extremely bright color output, PALM LED monolight is suitable for both still and video work. Filmmakers and photographers with all levels of experience are sure to appreciate its build quality and flexibility. It features a variable color output from 2700 to 6500K and adjustable HSI for interior, exterior, and mixed light situations. While for adjustments you can control the light locally or via the Linklite app, which provides wireless control over your future from up to 197' (60M) away.

Main Features:

- The light features a variable color temperature of 2700 to 6500K.
- Full RGB color control.
- LCD screen on the fixture shows brightness, CCT, HSI and FX mode.
- Local and Linklite APP control.
- Built-in battery, fast charging.
- Extremely portable & lightweight.

II. Maintenance and Precautions

- 1 Please keep it dry: Do not touch the product with wet hands, and do not immerse it in water or expose it to rain.
- 2 Do not disassemble the product yourself. If the product malfunctions, have it inspected and repaired by our company or authorized personnel.
- 3 Keep this product out of the reach of children.
- 4 This product is not waterproof. Please be cautious in rainy and humid environments.
- 5 Do not use the photographic light near chemicals, flammable gases, or other special substances. Pay attention to relevant warning signs in such situations.
- 6 Use a dry, soft cloth to clean the photographic light. You can slightly dampen the cloth with neutral cleaning agent to remove stubborn dirt, and then wipe it dry with a soft cloth.
- 7 It contains a built-in lithium battery. Do not disassemble, impact, crush, or expose it to fire. If severe swelling occurs, do not continue to use it. Do not place it in a high-temperature environment exceeding 40°C. Use a dedicated charger for charging and follow the operating instructions within the specified voltage and temperature range.
- 8 When the photographic light is not in use for an extended period, please disconnect the power.
- 9 If the light device wont be used for long time, please make sure it is fully charged, otherwise to charge the light once every 3 months. There is LO pops up on screen and will power off automatically.
- 10 Please adhere to these precautions to avoid potential injuries.



IV. Operating Instruction

1. Power On / Off

Reminder: Before you start to use the light, please charge the battery.
1.1. Power On + Hold the power button for 1 second till the display is turned on, and turn any of the knobs clockwise till it shows on display then the device is powered on.

1.2 Cooling Fan

When the light is switched on, the cooling fan will be running for a little while and then stops to make sure the light is working quietly. Once the working temperature of ventilator reaches 120°F (50°C), the cooling fan will be activated on.

2. CCT Control

2.1. Turn the Adjustment Kob (COLOR/FX) as shown by the arrow to change the color temperature from 2700K-6500K.
2.2. Shortly press the Adjustment Kob (COLOR/FX) to quickly select the color temperature 2700K / 3200K / 4500K / 5000K / 5600K / 6500K.

3. HSI Mode

3.1. Press HSI button to enter HSI mode.
3.2. Turn the DIMMER knob to choose the intensity 0-100%, shortly press to quickly select the brightness 25% [25%] 75% [75%] 100%, and turn the Adjustment Knob (COLOR/FX) to change hue 0-360°, and shortly press it to select the saturation 0-100%.

4. Intensity Dimmable

4.1. Turn the DIMMER knob to change the intensity from 0-100%.
4.2. Shortly press the DIMMER knob to quickly select the intensity 0-25%-50%-75%-100%.

5. FX Mode

5.1. Press the FX button below the screen to enter FX mode.
5.2. Turn the Adjustment Knob (COLOR / FX) as shown in the arrow to change the preset lighting effects from F1 to 20. Shortly press the knob as shown in the arrow to change the flash speed. The intensity is changed by turning the DIMMER knobs.

F1 Pulsing	F2 Lightning
F3 TV	F4 FaceBubb
F5 Paparazi	F6 SOS
F7 Fadein	F8 Fade
F9 Camtre	F10 Explosion
F11 Cardle	F12 Breathe
F13 Cop Car	F14 Party
F15 Fireworks	F16 Disco
F17 Ambulance	F18 Fireman
F19 RGB Loop	F20 Welding

6. Bluetooth Connection Reset / Silent Fan

6.1. Shortly press the button (4/10) (as shown by the arrow below) to switch off the cooling fan (if the icon (4) disappears on screen) and press again to activate on (if the icon (4) appears on screen).
Note: Once the working temperature of ventilator reaches 120°F (50°C), the cooling fan will be running automatically. If the cooling fan is switched off, the dimmer will be allowed from 0-15%.

6.2. Press and hold button (4/10) until the LCD screen blinks, you can reset the bluetooth connection with mobile app. Please refer to Mobile App instruction for the details.

V. Specifications

Model Number	PL-100RGB
Max Power Consumption	100W (w/power adapter)
CCT	2700K-6500K ± 200K
CRI	>=97
Hue	0-360°
Dimmer Range	0%-100%
Saturation	0%-100%
Type of LED	High Power RGBWW COB LED
FX Modes	20
Flash Speed	1-9
App Control	Linklite (via BT)
Remote Distance	<=60M
Rechargeable Lithium ion Battery	14.8V == 4500mAh 66.6Wh (Equivalent to 3.7V == 18000mAh)
Duration	Standard Mode: about 66 minutes Max Mode: about 45 minutes
Type C Charging	Support PD 3.0 protocol - 9V/12V/15V/20V
Overheating Protection	Once the temperature reaches to 140°F (60°C), the over heat protection will be triggered in the meantime E1 displayed on screen.
Working Voltage	DC19V
Power Adapter	DC19V == 4.7A (Optional)
Product Dimension	145*86*100mm

Bare light in Max mode

2700K	1M,3300Lx; 2M,960Lx; 3M,485Lx
3200K	1M,3520Lx; 2M,1020Lx; 3M,514Lx
5600K	1M,4050Lx; 2M,1170Lx; 3M,585Lx
6500K	1M,4130Lx; 2M,1210Lx; 3M,600Lx

Light with reflector in Max mode

2700K	1M, 13000Lx; 2M,3200Lx; 3M,1450Lx
3200K	1M, 12500Lx; 2M,3160Lx; 3M,1430Lx
5600K	1M, 10800Lx; 2M,2870Lx; 3M,1340Lx
6500K	1M, 10200Lx; 2M,2780Lx; 3M,1320Lx

R (Hue 0)	1M, 486Lx
G (Hue 120)	1M, 932Lx
B (Hue 240)	1M, 253Lx

*Product design and specifications are subject to change without notice.

VI. Battery Charging

1. Low Battery

1.1. If the battery remaining level is extremely low, there is LO pops up on screen and will power off automatically.

2. Charge Battery

2.1. Type C charging voltage 5-20V, max charging power 30 watts. About 2.5 hours of charging is needed.
2.2. Battery Status Indication.

3. Charging via Type C or Power Adapter

3.1. Type C supports PD3.0 protocol 9V/12V/15V/20V, max charging power 30 watts.
3.2. Power adapter charging 19V == 4.7A, charging power 100 watts. The power adapter is optional to buy.

Note: Please make sure to charge the battery in standard mode. If you charge the battery in MAX mode, please make sure the dimmer is less than 60%. Otherwise the battery will reject the power charge.

VII. What's Included

1. Lamp *1 2. Reflector *1 3. Silicon Diffuser *1 4. Handle Grip *1 5. Type C *1

6. Power Adapter (Optional) *1 7. Power Cord (Optional) *1
8. Type C to DC 5.5mm X 2.1mm Power Cord (Optional) *1
9. Quick Charger (Optional) *1 10. Carry Bag (Optional) *1

