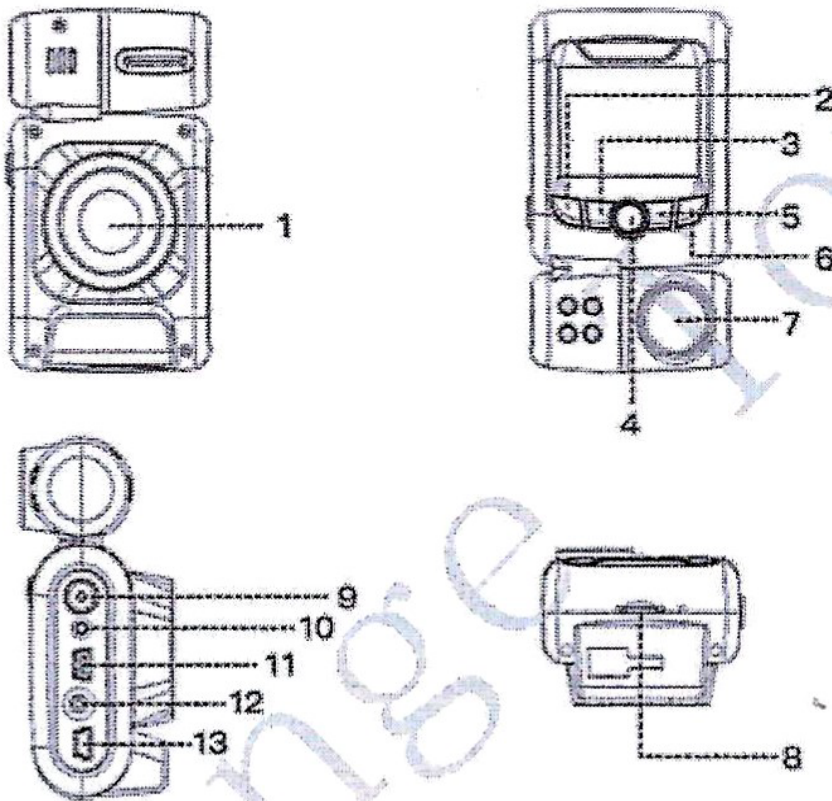


D20

User Manual

Product Structure



1. Front cam 2. Menu 3. Up 4. OK 5. Down 6. Switch
7. Back cam 8. SD card slot 9. Power 10. Reset
11. GPS socket 12. Reserved socket 13. USB port

Button function instruction

1.USB port

USB port is for connecting 5V power for device.

2.GPS socket

For connecting GPS antenna.(optional)

3.Reset

When device breaks down, press reset button to restart device.

4.Power

- 1) press power button 3S to power on/off device.
- 2) press power button 1S to control back light when device is at power on status.

5.Menu

- 1)at standby mode, press menu button 1S to make menu setting;
- 2)at standby mode, press menu button 3S to switch from record mode, to photographing mode, to playback mode.

6.Up

- 1)at menu or playback interface, press up button 1S to move cursor to select option;
- 2)at being recording status, press up button 1S to lock current file;
- 3)at power on mode, press up button 3S to turn on/off WIFI hot point function;

7.OK

- 1)at menu setting interface, press OK button 1S to confirm setting;
- 2)at playback interface, press OK button 1S to play file back;
- 3)at being recording status or photographing mode, press OK button 1S to record or suspend recording, or photograph;

8.Down

1)at menu setting interface, press down button 1S to remove cursor to select option;

2)at being recording status, press down button 1S to turn on/off audio record;

9.Switch

At power on mode, press mode button 1S to switch cameras display mode;

10.SD card slot

For inserting micro SD card to store video files inside;

11.Back cam

Recording for vehicle inside;

12.Front cam

Recording for front of vehicle;

Installation Instructions

1. Shut down the car engine;

2. Insert micro SD card into card slot on device;

【Attention】 Please use at least Class 10 micro SD card, the maximum capacity is 128GB;

3. Install and fix the car DVR at the front windshield of vehicle.;

4. Insert the power cable into car cigarette lighter.

5. Connect the car charger to the car DVR by USB port;

【Attention】the power cable can be hidden along the edge of the front windshield;

6. Adjust the lens angle, ensure the front camera keep horizontal with ground.

7. Start engine, check if device is installed properly;

Function Introduction

1 . Automatic Recording Function

Start engine, car DVR will turn on and start recording, power indicator will be on, Shut down engine, car DVR will save the videos automatically. The recording files will be stored in SD card. earlier video files will be overwritten when SD card is full.

2. Photographing Function

At standby mode, press menu button 3S to be photographing mode, then press OK button 1S to photograph, if need to exit, press mode button 1S.

3. Motion Detection

In standby mode, press Menu 1S to enter the setting menu. press down button to move the cursor to the <Motion Detection> option, and set it to <On>. If the camera senses a moving object peripherally, device will be recording, If the camera does not sense any moving object within 60 seconds, device stops video recording. To exit the motion detection mode, enter the menu again, and set the state of the <Motion Detection> option to <Off>.

[note] If you need to use the motion detection function for a long period, please keep device power on all the time.

4. G-sensor Function

The DVR is fitted with a built-in collision sensor (G-sensor). In case of severe vehicle collision, the DVR locks the image data generated at the time of the accident, and displays a lock icon in the middle of the screen.

[note] The collision sensor (G-sensor) supports sensitivity adjustment. By default, sensitivity adjustment is <Off>. You can change the sensitivity settings as needed in the setting menu.

5.Date and Time Setting.

In standby mode, press Menu button twice to enter the system setting menu. Press down button to move the cursor to the <Set the date>

option. Press OK button to confirm it, and enter the <Setting> menu.
[note] Press the <Up> and <Down> button to select values, press the Men button to proceed to the next option, and press OK button to confirm setting and exit.

[note] To effectively record the date and time of obtaining the evidence of the traffic accident, set a correct date and time before using the DVR.

6. Video Playback

In power-on mode, press mode button twice to enter the playback mode. press up or down button to look for file in need, and press OK to play back the file. If need to exit from playback mode, press mode button 1S.

7. ADAS function

Turn on ADAS function at menu setting interface, FCWS and LDWS functions will be available.

8. WiFi function

Look for WIFI option in menu setting interface, set it on, SSID, WIFI name, password will display on the screen. Look for the WIFI name in your mobile phone WLAN, input the password, the device will connect with your mobile phone through the APP.

Please scan the QR code, the downlink will appear and download the APP: 【note】 ①press up button 3S to turn on/off WIFI hot point.

②APP name "Roadcam" or "Timacam" can be searched at Google or Apple Application store.

③after device is connected to APP, only power, up 机 and OK buttons are available.

9. Flash dish mode

Connect DVR to computer by USB cable, the screen displays memory mode Press OK button to enter the USB flash disk mode. Video files in car dvr can be found and played back on computer.

10.GPS track(optional)

When device is power on, screen will show No. GPS if no GPS antenna is connected, a red GPS icon will show on screen if GPS antenna is connected. If GPS icon becomes white, it means GPS orientation is successful. And then, if DVR is recording, track will be recorded and saved in files, you can play the GPS track files to check the driving longitude and latitude, speed and track by special player.

Specification

Chipset	NT96663
Imaging sensor	IMX323
Video pixel	2.0 megapixel
Aperture	2.0
Viewing angel	170 degree
Video resolution	2160P / 1440P / 1080P / 720P
Frames	24-60 FPS
Video compression format	H.264
Screen size	2.0 inch
Storage Temperature	-10°C~70°C
Operating Temperature:	-5°C~60°C
Operating Humidity	15-65%RH
TF card capacity	8GB ~ 256GB
Power	DC5V
Working current	600mA

Note: specific specification is based on real product.

Troubleshooting:

1, the button does not work properly: In the case of recording, all buttons cannot be used, please press REC to stop recording.

2, the screen is not HD:

If you want to view more high-definition pictures or videos, please use a USB cable or card reader to watch on your computer, or use your phone to connect with WIFI. Because the screen pixels are 480P, the computer and phone screen pixels are 1080P.

3, cannot record:

Check if the memory card is properly inserted and the storage space

Check the power supply to ensure the original car charger in the car charger.

Format the TF card, slow and unformatted cards will stop or crash on the startup screen.

Press the Menu button twice to enter the system settings default settings and format

4, the image is blurred: use a clean soft lens cleaning cloth to gently wipe the lens

5, the device stops running: press the Reset button, then restart

6, Recording cannot loop video:

When the G-Sensor and emergency files in the memory card are full, the driving recorder cannot cycle recording.

Please format the memory card in the menu settings.

If your card has been used for more than 8-12 months, please replace it with a new card. Just like your car has to change oil for 6-12 months, the card also has a long life.